

The Australian designed and manufactured, **Autoflo BM Gooseneck** Mains Power Sensor Tap is an affordable solution for commercial applications, particularly in the food service and hospitality industries where a reliable and affordable hands free sensor tap is of paramount importance for prevention of cross-contamination and water conservation.

The **Autoflo BM Gooseneck** is a built for purpose product, with clever features incorporated. Upward facing lenses, sensor range adjustment, and LED power indicator coupled with a maximum run time to ensure water flow ceases should an obstruction be placed in the sensor area.

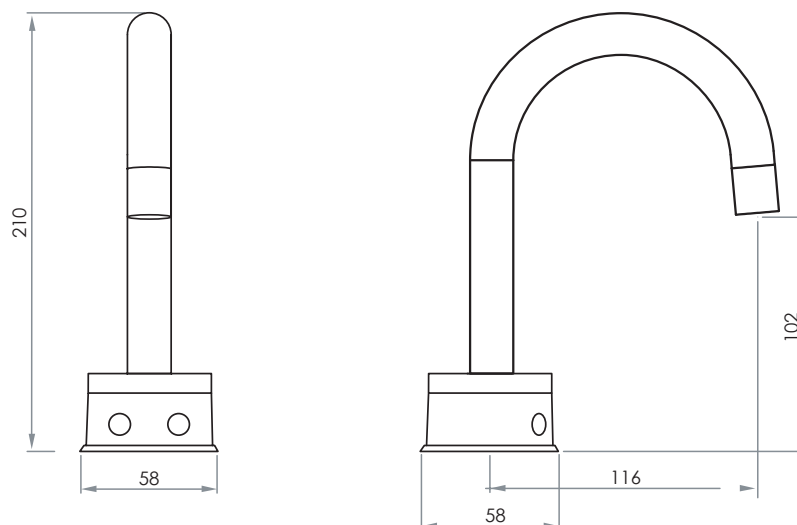
### FEATURES

- Sensor range 140mm
- Upward facing lenses to combat false triggering from reflective surfaces
- Gooseneck spout well suited to food preparation environments
- Removable solenoid filter basket
- Simple installation



Order Code: 100-0150LF

### TYPICAL DIMENSIONS



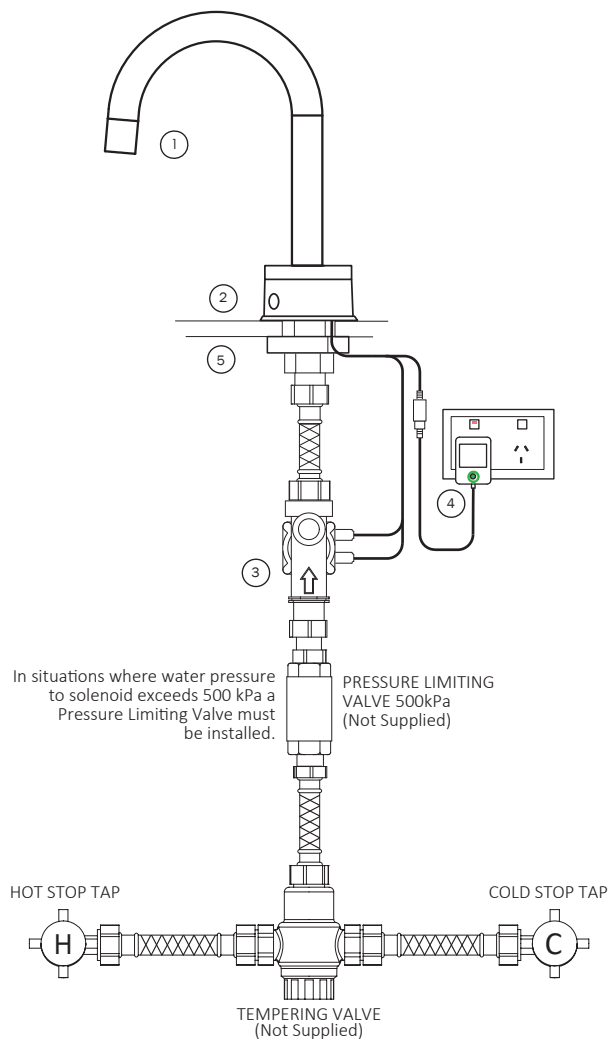
Every effort is made to ensure specifications are correct at the time of printing. Autoflo Pty Ltd reserves the right to make changes without prior notice. All measurements shown are in millimetres.

## TECHNICAL SPECIFICATIONS

- Sensor Type- Active Infrared
- Sensor Range- 140mm factory set
- Operating Supply- 22v AC Power Pack
- Operating Pressure- 50 to 500kPa
- Run Time- Maximum 90 seconds
- Flow Rating- 7 litres per minute
- Max Temperature- 50°C



## TYPICAL INSTALLATION



## COMPONENTS SUPPLIED

Item Code	Description
1	300-0160LL Gooseneck Spout Low Lead
2	300-0150 Basin mount sensor
3	300-0177 12V AC Solenoid Valve
4	300-0124 22V Power Pack
5	300-0102 Plastic Nut 300-0105 Plastic Spacer

