

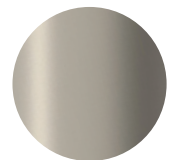


## CHROME



Mains 100-5160  
Battery 100-5161

## BRUSHED NICKEL



Mains 100-5158  
Battery 100-5159

Autoflo's bathroom mixer set continues the recent trend, exemplified in the memo Sia and mizu drift dual function taps, of bringing ultimate convenience and a wave of magic to domestic spaces. Minimal design sees a classic spout design combined with a progressive mixer, along with wave on sensor functionality, to provide bathroom tapware with such pure form, it belies its level of sophistication and ease of function.

Wave on instant water for handwashing and other tasks where a non-touch activation promotes good hygiene and ultimate convenience, and use the mixer where temperature control, extended use or basin filling is required.

Autoflo's bathroom mixer set harmonises perfectly in any modern domestic bathroom, all while stealing the show.

## FEATURES

- Simple wave-on activation for hands free
- Pre-set hands free run time of ten seconds
- Simple plug-n-play installation
- Hands free mode can utilise cold or tempered water
- Dual stage water filters for water quality
- Multiple surface finishes as standard options
- Battery life of 3-4 years
- Sensor operation independent from mixer operation

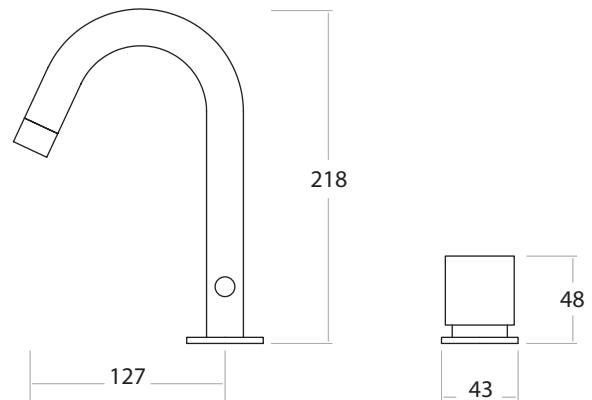


Every effort is made to ensure specifications are correct at the time of printing. Autoflo Pty Ltd reserves the right to make changes without prior notice. All measurements shown are in millimetres.

## TECHNICAL SPECIFICATIONS

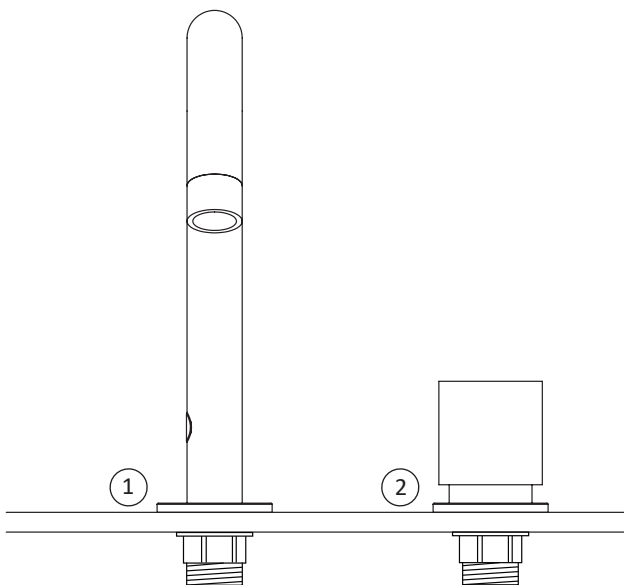
- TAP BODY - Solid brass - plated
- SENSOR OPERATION - wave on/wave off
- SENSOR RANGE - 60mm factory set
- OPERATING SUPPLY - Mains or Battery
- OPERATING PRESSURE - 50 to 500kPa
- FLOW RATING - 4L/min WELS 6 star
- SOLENOID - Latching/soft closing
- MAX TEMPERATURE - 50°C
- MIXER TYPE - Progressive

## DIMENSIONS



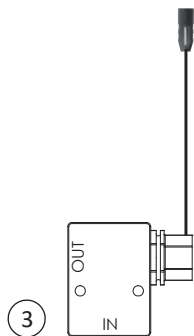
Sensor with Progressive Control

## TYPICAL INSTALLATION

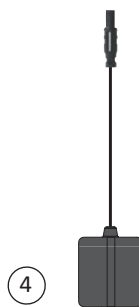


## COMPONENTS SUPPLIED

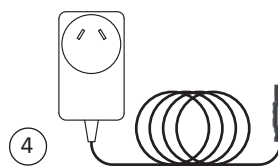
1	Spout Assembly with mounting hardware
2	Mixer Assembly with mounting hardware
3	6V Solenoid Valve
4	Power Supply or 6V Battery



SOLENOID



BATTERY PACK



POWER SUPPLY

