

The Australian designed and manufactured, **Autoflo Gooseneck-AA2** Mains Power Sensor Tap is an affordable solution for commercial applications, particularly in the food service and hospitality industries where a reliable and affordable hands free sensor tap is of paramount importance for prevention of cross-contamination and water conservation.

The **Autoflo Gooseneck-AA2** is a built for purpose product, with clever features incorporated. Upward facing lenses, sensor range adjustment, and LED power indicator coupled with a maximum run time to ensure water flow ceases should an obstruction be placed in the sensor area. The **Autoflo Gooseneck-AA2** has been the most consistent performer for many years in the food service industry, and will continue to ensure great performance for years to come.

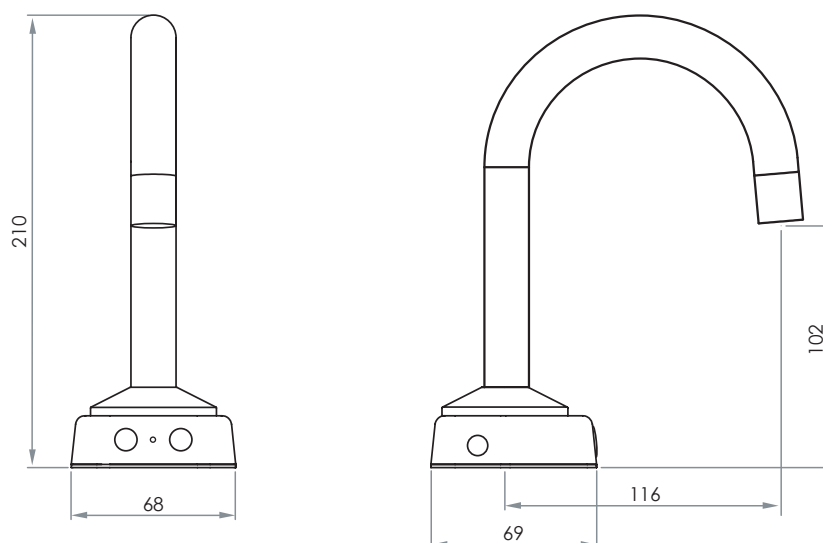
## FEATURES

- Sensor range 130mm
- Upward facing lenses to combat false triggering from reflective surfaces
- Gooseneck spout well suited to food preparation environments
- LED power indicator on sensor unit and power pack
- Removable solenoid filter basket
- Simple installation



**Order Code: 100-0175**

## TYPICAL DIMENSIONS



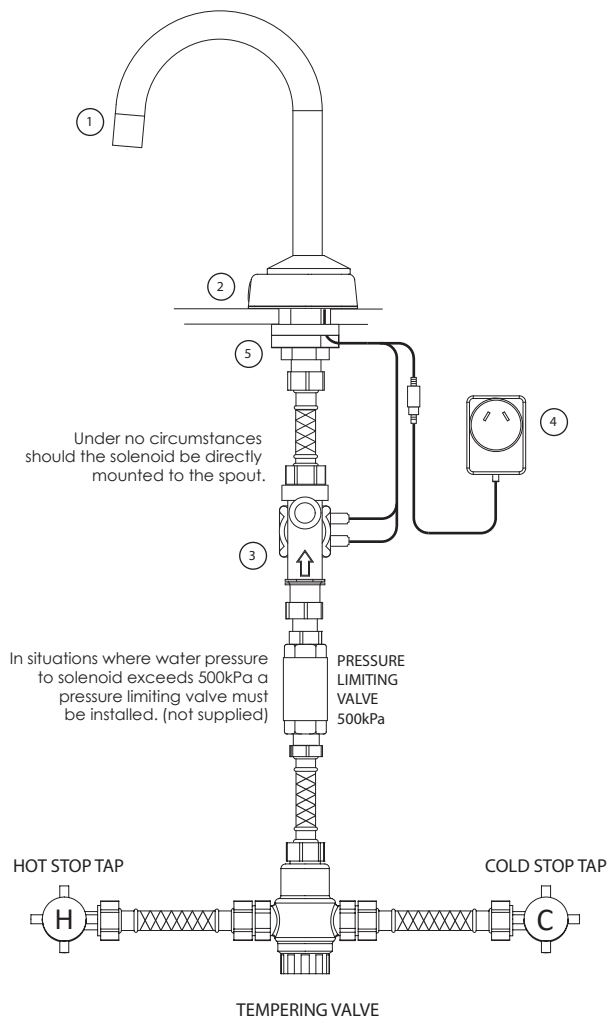
Every effort is made to ensure specifications are correct at the time of printing. Autoflo Pty Ltd reserves the right to make changes without prior notice. All measurements shown are in millimetres.

## TECHNICAL SPECIFICATIONS

- SENSOR TYPE - Active Infrared
- SENSOR RANGE - 130mm factory set
- OPERATING SUPPLY - 22v AC Power Pack
- OPERATING PRESSURE - 50 to 500kPa
- RUN TIME - Maximum 90 secs
- FLOW RATING - 7 litres per minute
- MAX TEMPERATURE - 50°C



## TYPICAL INSTALLATION



## COMPONENTS SUPPLIED

	Item Code	Description
1	300-0180	Gooseneck Spout
2	300-0181	Basin mount sensor
3	300-0177	12V AC Solenoid Valve
4	300-0124	22V Power Pack
5	300-3026	Sensor mounting kit

