

The Australian designed and manufactured, **Autoflo Wall Mount Sensor**, is designed to be used in conjunction with gooseneck and straight wall mount spouts and is intended to meet the requirements of hospitals, health care facilities and other critical areas. The sensor is microprocessor controlled incorporating features commonly required by these critical facilities.

The unit is fully waterproof, rated to IP65, suitable for installation in wet areas. The low profile of the sensor, at less than 19mm overall allows the sensor to be mounted in the most confined of wall cavities.

Parameters such as sensor range, run time, timed self-flushing, and other parameters can be factory set.



**100-0125LF** Chrome Plated Wall Sensor Lead Free  
Panel Kit (no spout supplied)

## SPECIFICATIONS

**Sensor Type:** Infrared

**Detection Range:** 140mm (factory set)

**Max Flow Time:** 120 sec. (factory set)

**Solenoid Type:** Latching type with strainer

**Working Pressure:** 100-500kPA

**Plate Finish:** Bright Chrome with Bevelled edges

**Self Flushing:** Every 24h (factory set)

**Flushing Time:** 30 sec (factory set)

**Water Proof:** IP 65

**Supply:** 12v DC transformer

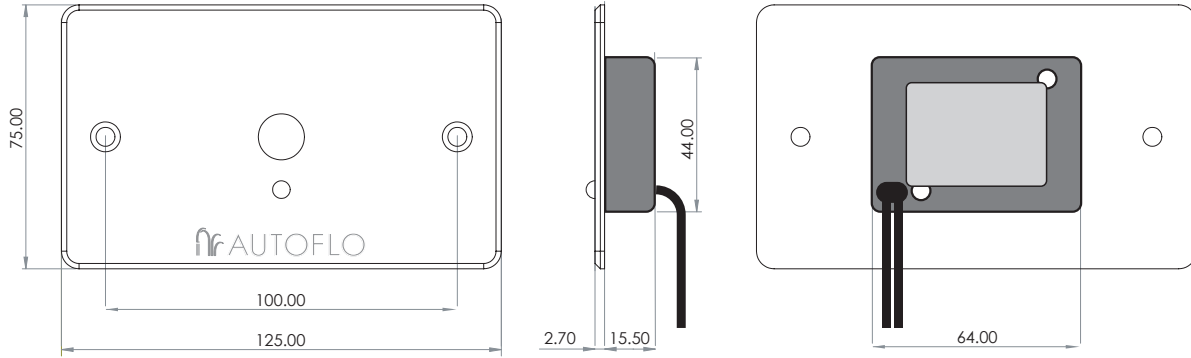
**Sensor Dimensions:** 125 x 75mm

**Max Temperature:** 50°C

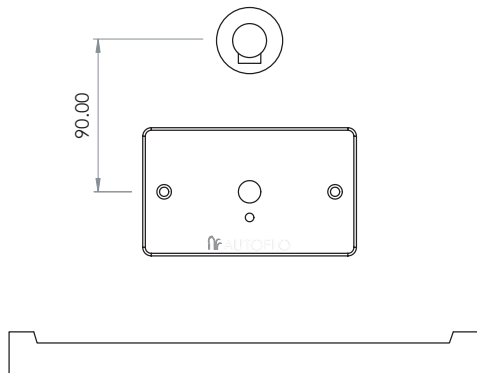


Every effort is made to ensure specifications are correct at the time of printing. Autoflo Pty Ltd reserves the right to make changes without prior notice. All measurements shown are in millimetres.

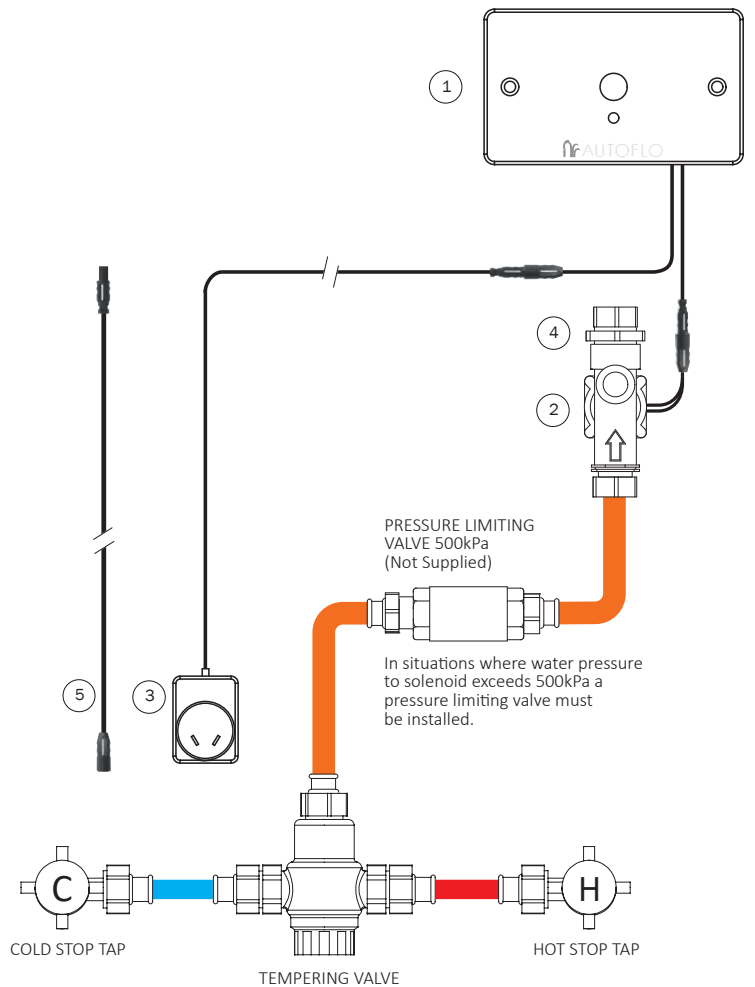
#### TYPICAL DIMENSIONS



#### SUGGESTED SENSOR LOCATION



#### TYPICAL INSTALLATION



#### COMPONENTS SUPPLIED

|   | PART NUMBER | DESCRIPTION                      |
|---|-------------|----------------------------------|
| 1 | 300-0166    | Wall Sensor                      |
| 2 | 300-0199LL  | Latching Solenoid Valve Low Lead |
| 3 | 300-0208    | Power Pack 12V                   |
| 4 | 600-0133    | 1/2" Nipple Low Lead             |
| 5 | 600-0148    | 500mm Extension Cable            |