

The Australian designed and manufactured, **Autoflo Wall Mount ON/OFF**, is designed to be used in conjunction with gooseneck and straight wall mount spouts and is intended to meet the requirements of hospitals, health care facilities and other critical areas. The sensor is microprocessor controlled incorporating features commonly required by these critical facilities.

The unit is fully waterproof, rated to IP65, suitable for installation in wet areas. The low profile of the sensor, at less than 19mm overall allows the sensor to be mounted in the most confined of wall cavities.

Parameters such as sensor range, run time, timed self-flushing, and other parameters can be factory set.



WALL WAVE ON/WAVE OFF

100-0123 Chrome Plated Wall Sensor WAVE ON/WAVE OFF
Panel Kit (**no spout supplied**)

Specifications

Sensor Type: Infrared

Detection Range: 140mm (factory set)

Max Flow Time: 120 sec. (factory set)

Solenoid Type: Latching type with strainer

Working Pressure: 100-500kPA

Plate Finish: Bright Chrome with Bevelled edges

Self Flushing: Every 24h (factory set)

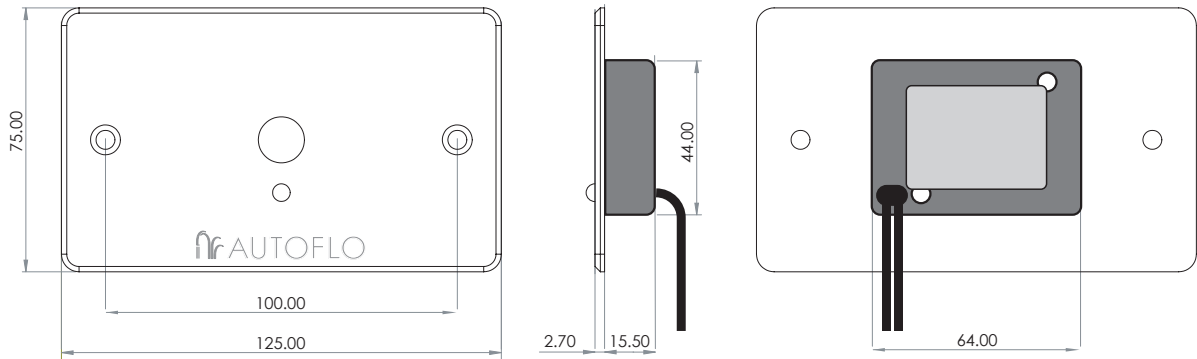
Flushing Time: 30 sec (factory set)

Water Proof: IP 65

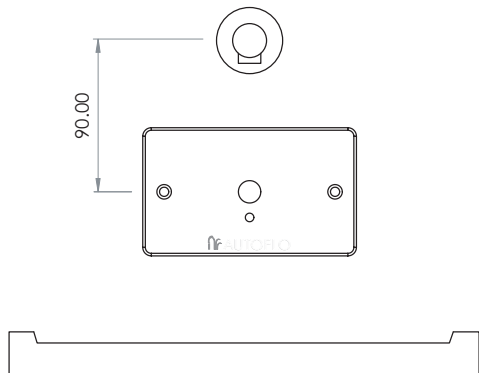
Supply: 12v DC transformer

Sensor Dimensions: 125 x 75mm

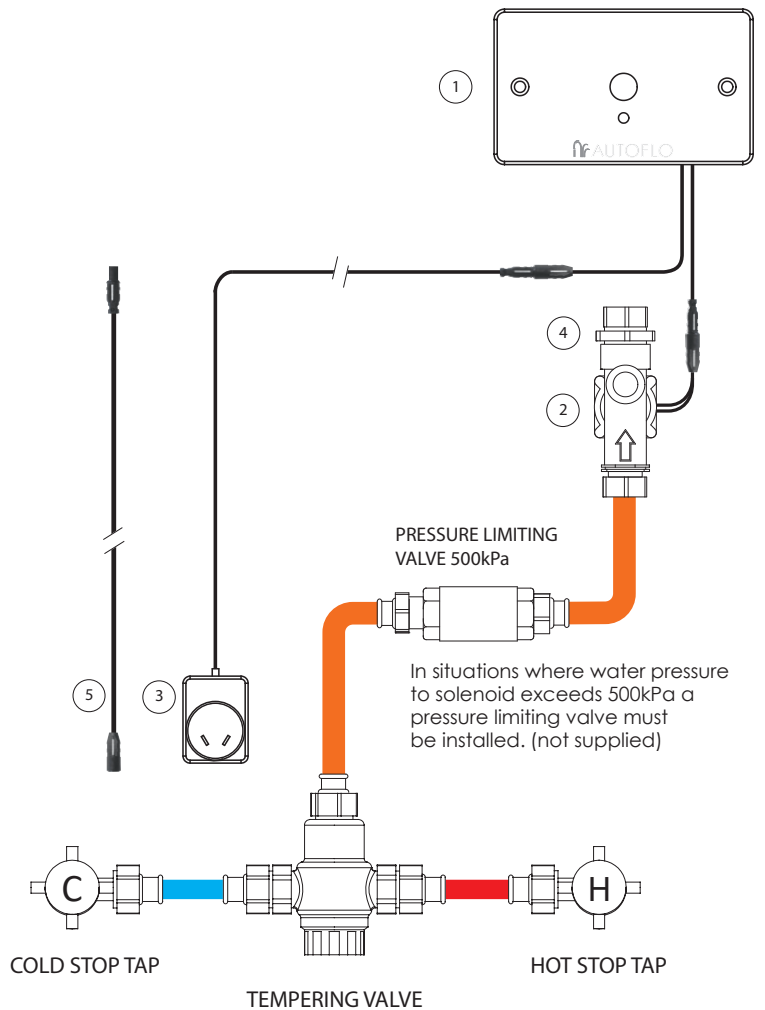
TYPICAL DIMENSIONS



SUGGESTED SENSOR LOCATION



TYPICAL INSTALLATION



COMPONENTS SUPPLIED

	PART NUMBER	DESCRIPTION
1	300-0165	Wall Sensor
2	300-0199	Latching Solenoid Valve
3	300-0208	Power Pack 12V
4	600-0133	1/2" nipple
5	600-0148	500mm extension cable