

The Australian designed and manufactured **Autoflo Gooseneck-Glow** Mains Power Sensor Tap delivers pre-mixed water for hand washing applications, particularly in the food service, public facilities, hospitality, health and recreation industries and any application where a striking bathroom feature is as important as cross contamination prevention and water savings. The contemporary form is complimented with a host of features ensuring consistent performance. The intelligent sensor which self-ranges to its environment, controls maximum flow time, delivers the hygienic self-flush every 24 hours for bacteria control are just some of the features that set the **Autoflo Gooseneck-Glow** apart from other similar products.

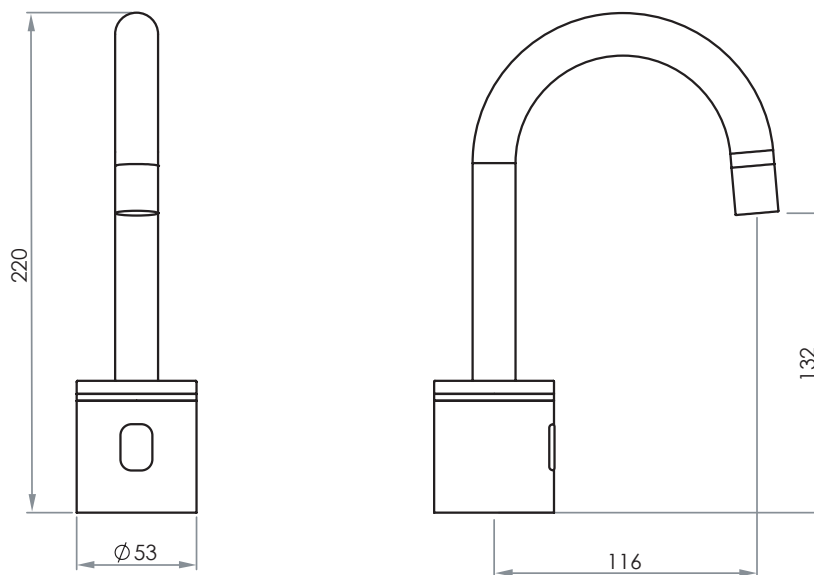
FEATURES

- Infra-red sensor- self ranging
- Designed for multiple tap installations from one power source
- Illuminated light ring creates unique bathroom ambience
- Simple installation
- Bacteria preventing, self flush every 24 hours
- Dual stage water filters with removable basket to avoid solenoid blockages
- Optional remote control for adjustment from factory settings



TYPICAL DIMENSIONS

Order Code: 100-0108LF



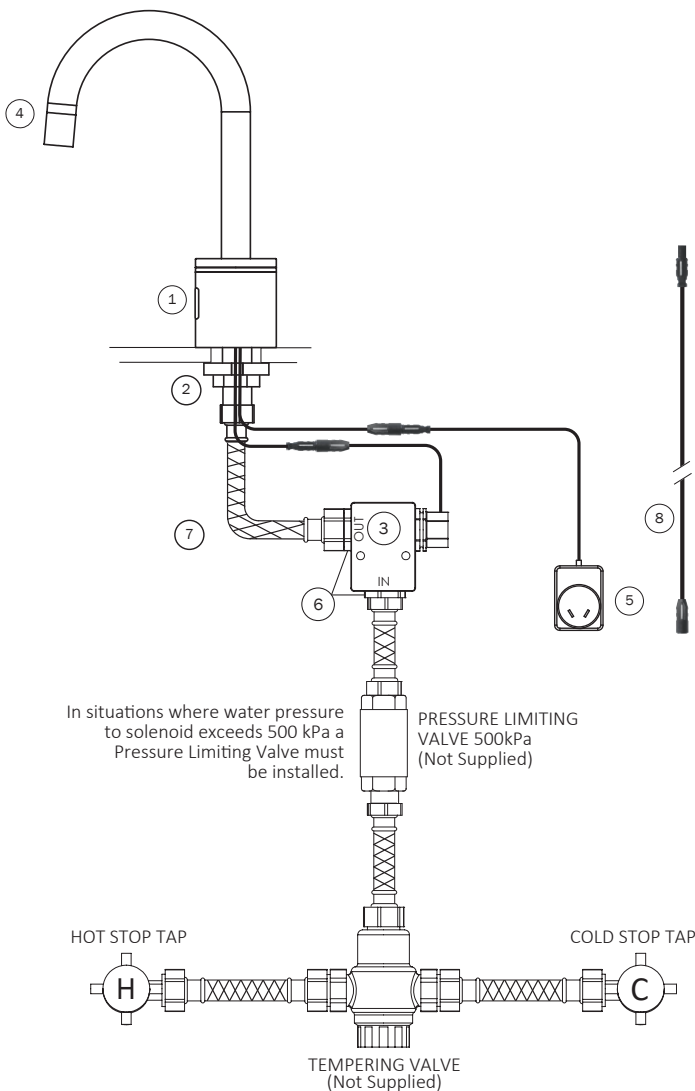
Every effort is made to ensure specifications are correct at the time of printing. Autoflo Pty Ltd reserves the right to make changes without prior notice. All measurements are shown in millimetres.

TECHNICAL SPECIFICATIONS

- Tap Body- Solid brass chrome plated
- Sensor Range- 120mm factory set
- Operating Supply- 9V DC power pack
- Operating Pressure- Up to 500kPa
- Run Time- Continuous 2 minutes max.
- Flow Rating- 7 litres per minute
- Solenoid- Latching
- Max Temperature- 50°C



TYPICAL INSTALLATION



COMPONENTS SUPPLIED

	Item Code	Description
1	300-5108	Gooseneck Glow sensor body
2	600-0141 300-0105	1/2" Nut Black Spacer
3	300-1133LL	6V Solenoid Valve Low Lead
4	300-0160LL	Gooseneck Spout - 120mm Low Lead
5	300-0225	9V Power Pack
6	600-0133LL	1/2" BSP M/M nipple C/P (2) Low Lead
7	600-0136LL	Flex Hose 300mm Lead Free
8	600-0148	Extension Cable 500mm

*Surface finish variations available on special order
Conditions Apply



Autoflo Pty Ltd
www.autoflo.com.au