

The Australian designed and manufactured, **Autoflo Gooseneck-Foot** Mains Power Pedal Tap is suitable for commercial applications, particularly in the food service, hospitality and other service providing industries where a reliable and affordable hands free tap is of paramount importance for the prevention of cross-contamination and controlled water saving.

The **Autoflo Gooseneck-Foot** is a built for purpose product, it is a practical solution for situations where the timing and delivery of water is user controlled and where a sensor tap is not a suitable solution.

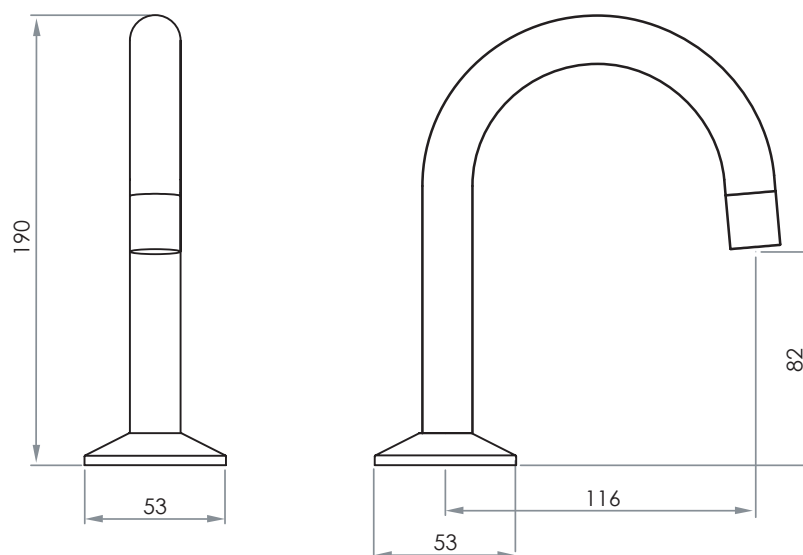
## FEATURES

- Commercial grade foot pedal
- Intuitive depress for water / release for stop operation
- Gooseneck spout well suited to food preparation environments
- LED power indicator on power pack
- Cleanable solenoid filter
- Simple installation



**Order Code: 100-0195**

## TYPICAL DIMENSIONS



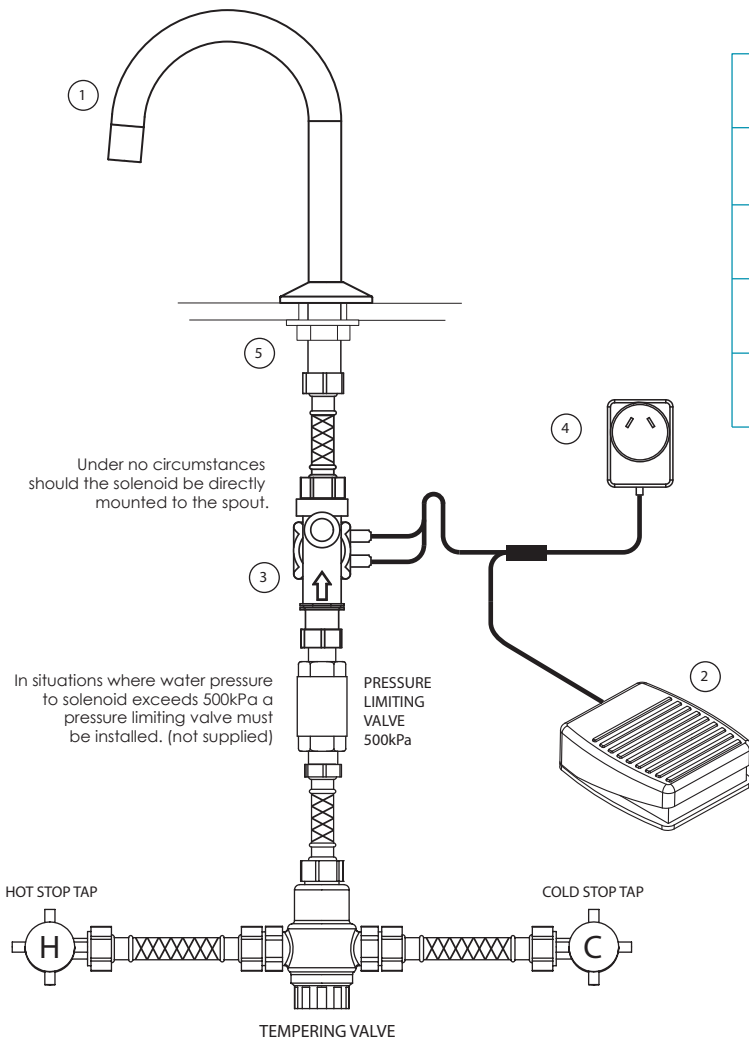
Every effort is made to ensure specifications are correct at the time of printing. Autoflo Pty Ltd reserves the right to make changes without prior notice. All measurements shown are in millimetres.

### TECHNICAL SPECIFICATIONS

- SPOUT - Solid brass chrome plated
- OPERATION - Momentary Push ON function
- OPERATING SUPPLY - 24v AC Power Pack
- OPERATING PRESSURE - 50 to 500kPa
- RUN TIME - User determined
- FLOW RATING - 7 litres per minute
- SOLENOID - 24V
- MAX TEMPERATURE - 50°C



### TYPICAL INSTALLATION



### COMPONENTS SUPPLIED

Item Code	Description
1	300-0180 Gooseneck Spout - angle
2	300-0100 Foot pedal
3	300-0183 24V AC Solenoid Valve
4	300-0124 24V Power Pack
5	300-0102 White hex nut

